



FLEXIBLE HANGING SOLUTIONS

Artiteq®

TRACK®  
& SLIDE  
since 1999

TRACK & SLIDE PRODUCT CATALOGUE  
2025

TRACKANDSLIDE.COM



**How a simple idea turned into Track & Slide**

What began in 1996 as a simple idea while working at a Bavarian Castle, grew into a series of hanging products for both direct wall hanging and wire hanging, mechanical theft protection, art storage and art transportation. By 1999, Track & Slide® was born, a company dedicated to producing high-quality, sustainable, and compatible products for hanging, storing, and transporting art. By using the same units on frames across all applications, Track & Slide® streamlines the entire art handling process, saving time and reducing the risk of damage. The effectiveness and reliability of Track & Slide® products have earned them the trust of insurance companies and made them the preferred choice for museums, institutions, hotels, and private customers.



Scan for info



Scan for installation video

## CONTENT

WHY CHOOSE TRACK & SLIDE?	4	RAIL HANGING	
WALL HANGING		HEAVY DUTY TRACK - WALL	18
FRAME HANGERS	6	HEAVY DUTY TRACK - CEILING	20
HOOK4WALL	10	DOUBLE WALL TRACK	22
FRAME HANGER JUNIOR	13	TRACK & WIRE	25
ACCESSORIES		HOOKS & WIRES	26
EXTENDER	14	MOUNTING TOOLS	28
TRANSPORT	15	REFERENCES	30
DEPOT	16		



- high weight bearing capacity
- anti-theft function
- horizontal & vertical adjustment
- safe & secure



**High quality products with anti-theft function**

When it comes to displaying art and exhibitions, flexibility, security, and preservation are essential. Our Track & Slide® system is specifically designed to meet the high standards of museums, galleries and professional exhibition spaces.

**WHY CHOSE TRACK & SLIDE?**  
high quality & reliability



**Trusted by professionals and insurers**

Track & Slide® products are recommended by art insurance companies. The consistent high quality, strong customer satisfaction and expert endorsements form the foundation of our success. This trust reflects our commitment to protecting both artworks and exhibition environments.



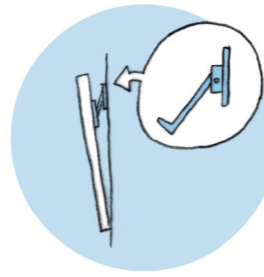
**Anti-theft**

A key advantage of the Track & Slide® system is its integrated anti-theft protection. Valuable paintings and art objects can be securely fastened, providing peace of mind in both public and private spaces.



**Maximum flexibility**

Artworks and exhibitions are constantly evolving, and your display system should too. Track & Slide® allows for easy repositioning, height adjustment, and lateral adjustment on the wall up to 3 cm, all without damaging your walls or using tools. There is no need to re-hang the artwork when making adjustments.



**Professional, clean presentation**

With a sleek, unobtrusive design, our system keeps the attention on your collection. Whether you're curating a contemporary show or a historic display, Track & Slide® supports a refined, gallery-quality presentation. Even during storage or transportation, artworks remain securely and professionally mounted using the same system.



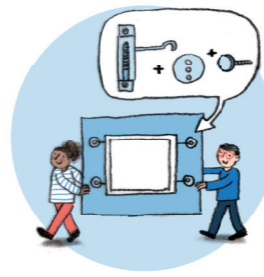
**Supports conservation**

Track & Slide® creates an 8 mm distance between the artwork and the wall, allowing air to circulate behind the piece. This ventilation is important for the preservation of paintings and art objects, helping to prevent moisture buildup and long-term damage.



**Efficient exhibition changes**

Curators and technicians appreciate the speed and simplicity of our system. Track & Slide® ensures safe, efficient installation and rearrangement, ideal for dynamic, frequently changing exhibitions. The system is designed to withstand high loads, making it suitable even for large or heavy works.





**Just that little bit of difference on the wall**

For hanging larger and heavier art objects, for example in museums, the Track & Slide® products are highly regarded. The range makes it possible not only to hang and secure (heavy) paintings but also to store and transport them without having to remove the suspension elements attached behind the painting. The risk of damage to the paintings therefore remains negligible.

**WALL HANGING - FRAME HANGERS**




securely hanging and fixing art directly onto the wall

For the secure hanging and fixing of artworks, paintings, and (heavy) frames firmly to the wall, Track & Slide® offers a range of frame hangers like the **Track Junior** and **Track Junior M**.

This product range is mounted directly, and only once, onto the back of a painting or frame. The appropriate type is selected based on the size and weight of the artwork. The system includes mechanical anti-theft protection and allows for both vertical and horizontal adjustment. Two units are required per painting.

These are a versatile and reliable solution for not only secure hanging, but also depot storage, safe transportation of artworks and hanging paintings in combination with a track (picture hanging system).

**FRAME HANGERS** (units mounted on frame)

 <p>max. <b>80 kg</b> per set / 2pc</p>	 <p>max. <b>120 kg</b> per set / 2pc</p>	 <p>max. <b>160 kg</b> per set / 2pc</p>
Track Junior 40 kg*	Track Junior BU 60 kg*	Track Junior M 80 kg**
ARTICLE NO. TS94374	TS94360L & TS94360R	TS94615

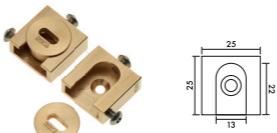
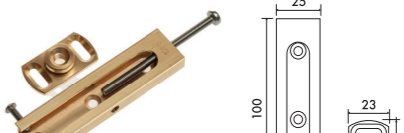
\* **Track Junior** & **Track Junior BU** can be used in combination with the Depot Screw Junior/ Junior BU (TS90635).

\*\* **Track Junior M** can be used in combination with the Extender Junior M (TS21160) and the Depot Screw Junior M (TS90935).

See pages 14-16 for more information on the Extender Junior M and Depot Screws.

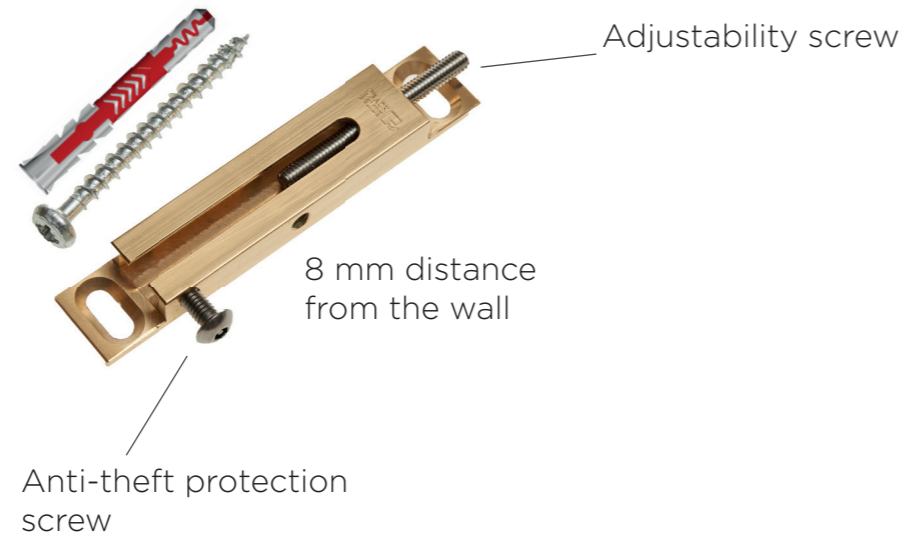
Two units are required per painting, frame or art object.

**FRAME HANGERS** (units mounted on frame)

 <p>max. <b>160 kg</b> per set / 2pc</p>	 <p>max. <b>200 kg</b> per set / 2pc</p>
Track & Slide S L & R 80 kg	Track & Slide M 100 kg
ARTICLE NO. TS92525L & TS92525R	TS91100

Two units are required per painting, frame or art object.

## SECURELY HANGING AND FIXING ART DIRECTLY ONTO THE WALL



### Reasons why to choose Track Junior / Track Junior M:

- High quality brass and stainless steel parts
- Easy to use
- Adjustable on the wall without re-hanging - adjustment max. ca. 3 cm
- Anti-theft protection
- Storage hanging
- Transportation safety
- Air circulation (8 mm distance from the wall)
- High weight bearing capacity (80, 120, 160 or 200 kg per set)
- Two units per painting or frame are required



## SECURELY HANGING AND FIXING ART DIRECTLY ONTO THE WALL

In just four steps, the Track Junior / Track Junior M are securely mounted to the back of a painting or work of art. In this way, the painting hangs directly against the wall.

### Installation instructions - Track Junior M

#### Step 1: Position the Track Junior M on the frame

Mount the Track Junior M in the center of the back of the frame. Make sure the distance between both sides on the frame are equal. Ensure it is straight, then fasten it. The screws on the wall are positioned at the same distance as the Track Junior M on the back of the painting.

#### Step 2: Hang the frame onto the screw

Carefully place the frame on the screw on the wall. Slide the frame downward so that it clicks into position securely. Adjust the frame from the top for parallel hanging.

#### Step 3: Secure the anti-theft lock

Once the frame is in place, tighten the side security screw to lock the system and activate the anti-theft function.



## WALL HANGING - HOOK4WALL

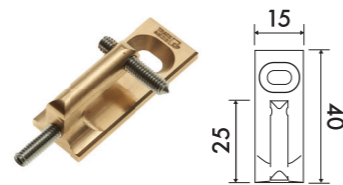
for hanging and securing art on the wall

The Hook4Wall is a smart and reliable solution for hanging paintings and artworks directly on the wall. The Hook4Wall is used when at the back of the painting or artwork, a ring screw is already attached.

Use two Hook4Wall units to securely mount a frame or painting. Placement on the wall depends on the position of the hanging accessory (such as a ring screw) on the back of the frame or painting. The Hook4Wall includes a locking screw to ensure a safe, stable and secure installation.

What makes the Hook4Wall truly stand out is its combination of strength, safety, and flexibility. With its high weight capacity (50 kg per unit), it's perfect for even the heaviest frames. The design is adjustable, making it easy to align your artwork exactly as you want it. And thanks to the built-in anti-theft feature, you can trust that your pieces stay secure, whether in a gallery or in a public space.

### HOOK4WALL (unit mounted on wall)



max.  
**100 kg** per set / 2pc

Hook4Wall 50 kg \*

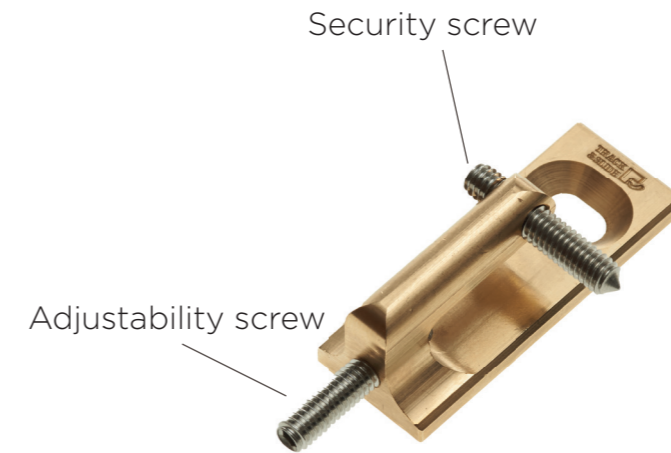
ARTICLE NO.

TS00011

\* Hook4Wall can be used in combination with the Extender Junior M (TS21160). See page 14 for more information

Two units are required per painting, frame or art object.

## SECURELY HANGING AND FIXING ART DIRECTLY ONTO THE WALL



### Reasons why to choose Hook4Wall:

- High quality brass and stainless steel parts
- Easy to use
- Adjustable on the wall without re-hanging - adjustment max. ca. 6,5 cm
- Security through horizontal security screw
- Can be used with ring screws up to 6 mm
- High weight bearing capacity (100 kg per set)
- Two units per painting or frame required



## SECURELY HANGING AND FIXING ART DIRECTLY ONTO THE WALL

With just a few easy steps, the Hook4Wall provides a secure way to hang your artwork directly on the wall.

### Installation instructions – Hook4Wall

#### Step 1: Position the Hook4Wall on the wall

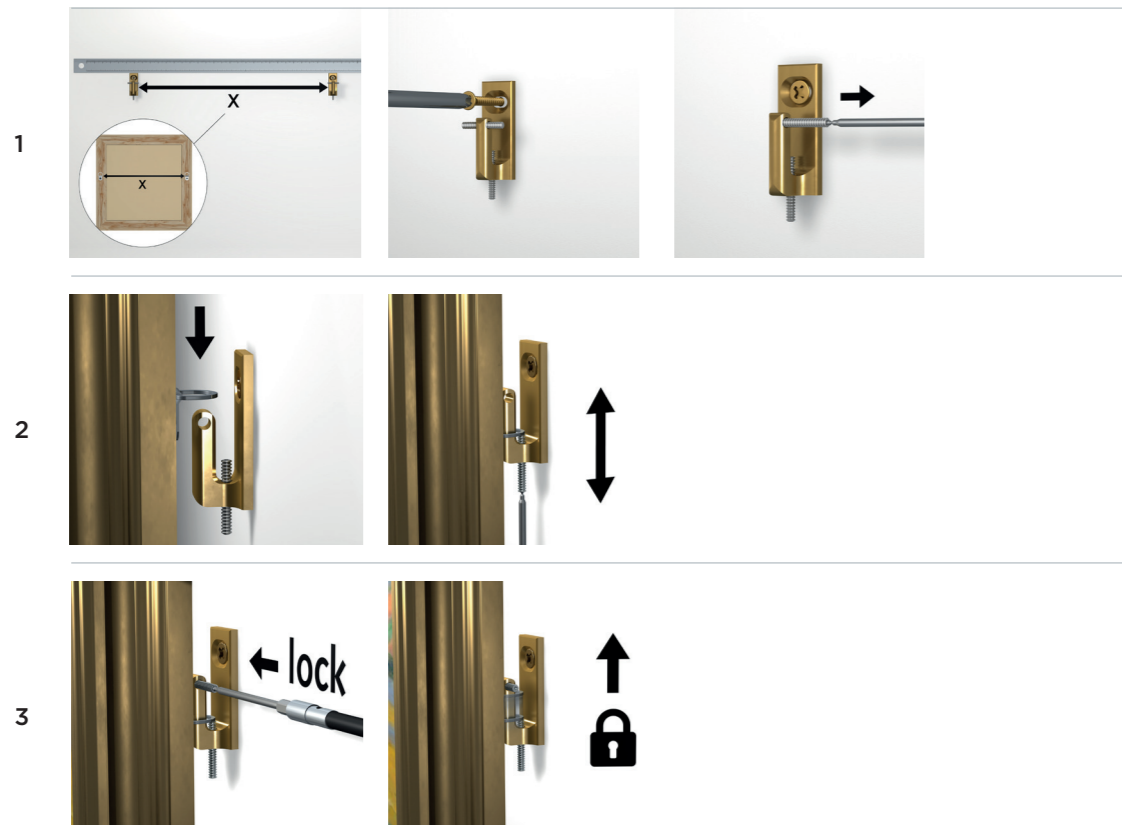
Place both Hook4Wall at the same distance apart as the existing elements on the back of the painting or frame. Once mounted on the wall, remove the horizontal screw in order to hang the painting onto the Hook4Wall.

#### Step 2: Hang the frame onto the screw

Carefully place the ring screw (on the back of the painting) over the Hook4Wall. Adjust the vertical screw to make any necessary adjustments in height. Do this on both Hook4Wall elements.

#### Step 3: Secure the anti-theft lock

Replace the horizontal screw in order to secure the painting onto the wall. The painting is now secured.

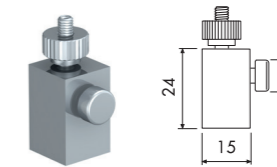


## WALL HANGING - FRAME HANGER JUNIOR for a secure hanging in combination with a picture hanging system

The Frame Hanger Junior is a smart and secure solution for hanging frames that are already equipped with a Track Junior M element on the back. It is specifically designed for situations where the frame needs to be suspended from a picture hanging system using steel wire.

Instead of attaching additional or creating new mounting points, which can damage the back of the painting, the Frame Hanger Junior allows to reliably connect the Track Junior M to the hanging wire. This ensures a clean and damage-free installation, especially for frames that are already fitted with the Track Junior M.

### FRAME HANGER JUNIOR



Frame Hanger Junior M 1.2-1.8 mm / 15-40 kg

ARTICLE NO. TS94620\*

\* used in combination with Track Junior M (TS94615)

Two units are required per painting, frame or art object.

### Installation instructions – Frame Hanger Junior

#### Step 1: Insert the wire into the Frame Hanger Junior

Thread the steel wire through the Frame Hanger Junior. It will automatically lock into place once released. Insert the wire into the picture hanging system at the desired position in the rail.

#### Step 2: Attach the Frame Hanger Junior to the Track Junior M

Connect the Frame Hanger Junior to the Track Junior M on the back of the frame.

#### Step 3: Lock

Lock it by adjusting the screw and tightening the screw on the Frame Hanger Junior M.

#### Step 4: Positioning the painting

Position the painting at the preferred height by adjusting the steel wire in the Frame Hanger Junior.



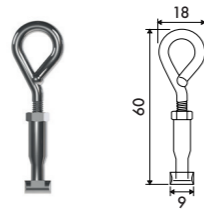
## ACCESSORIES - EXTENDER

for hanging a painting at a slight angle

There is a whole range of accessories compatible with the frame hangers, such as the Track Junior M. One such accessory is the Extender Junior M, which is used in conjunction with the Track Junior M to create more distance between the painting and the wall, or to hang a painting at a slight angle. This extra space can be particularly beneficial in museum environments, where air circulation behind the painting is often required to support art conservation. Proper airflow helps protect fragile artworks from damage caused by humidity or stagnant air.

An important advantage is that the Extender Junior M allows for this spacing without needing to alter or mount anything to the back of the artwork, a crucial requirement in the museum world, where many pieces are delicate and must remain untouched.

### EXTENDER



Extender Junior M

ARTICLE NO.

TS21160\*

\* Extender Junior M used in combination with the Track Junior M (TS94615) and Hook4Wall (TS00011). See pages 7-13 for more information.

### SET

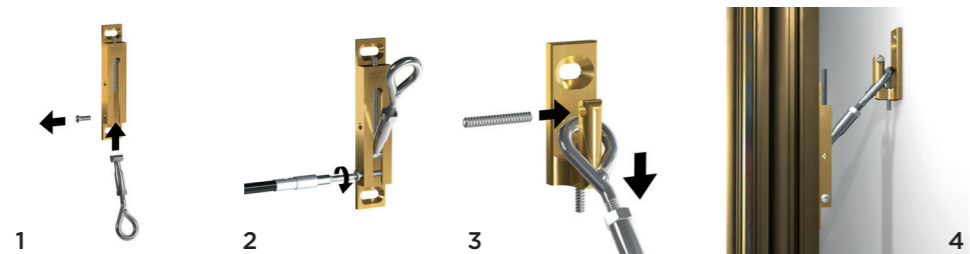


max.  
50 kg

Track Junior M + Extender Junior M + Hook4Wall

ARTICLE NO.

TS91150



## ACCESSORIES - TRANSPORT

for a safe and secure transport

Art is often loaned between museums and exhibition spaces. Transporting these valuable and often fragile works must be done with great care and security. The Track & Slide® Transport Security Set is designed specifically for this purpose.

Used in combination with frame hangers like the Track Junior M, the system enables safe and stable transport of artworks. An important advantage is that this method does not require any modifications to the back of the painting, preserving the integrity of the artwork, a crucial aspect in the museum world.

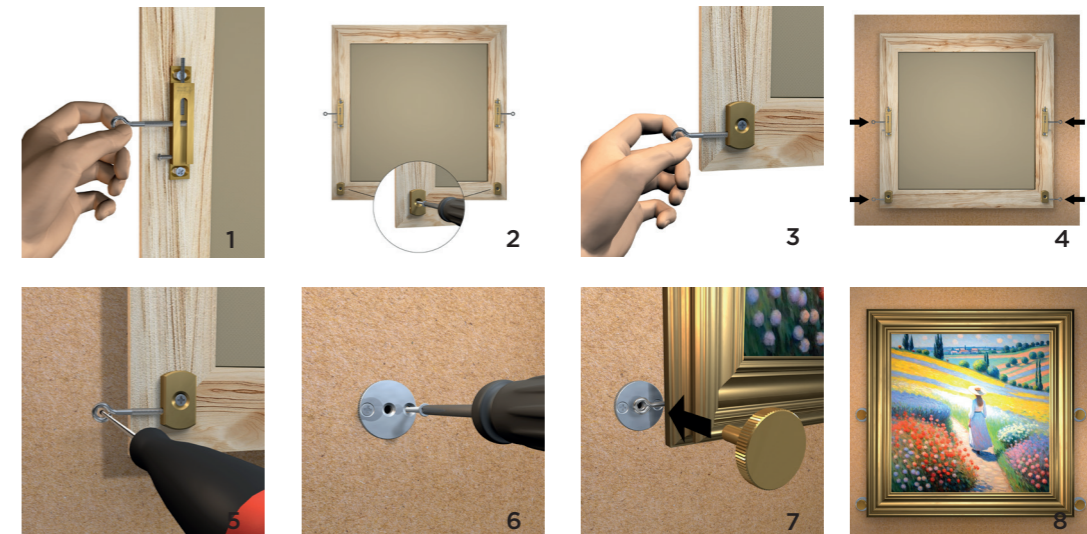
### TRANSPORT



	Transport Security Set	Ring Screw M4 x 50	Ring Screw M4 x 60	Ring Screw M4 x 80	Spacer Junior
ARTICLE NO.	TS40000	TS16450S	TS16460S	TS16480S	TS17450X

used in combination with Track Junior (TS94374), Track Junior BU (TS94360L / TS94360R), Track Junior M (TS94615), Track & Slide S (TS92525L / TS92525R) and Track & Wire (TS30218).

This is necessary for safe and secure transport: Transport Security Set, Ring Screw and Spacer Junior



## ACCESSORIES - DEPOT

for a safe storage in depot

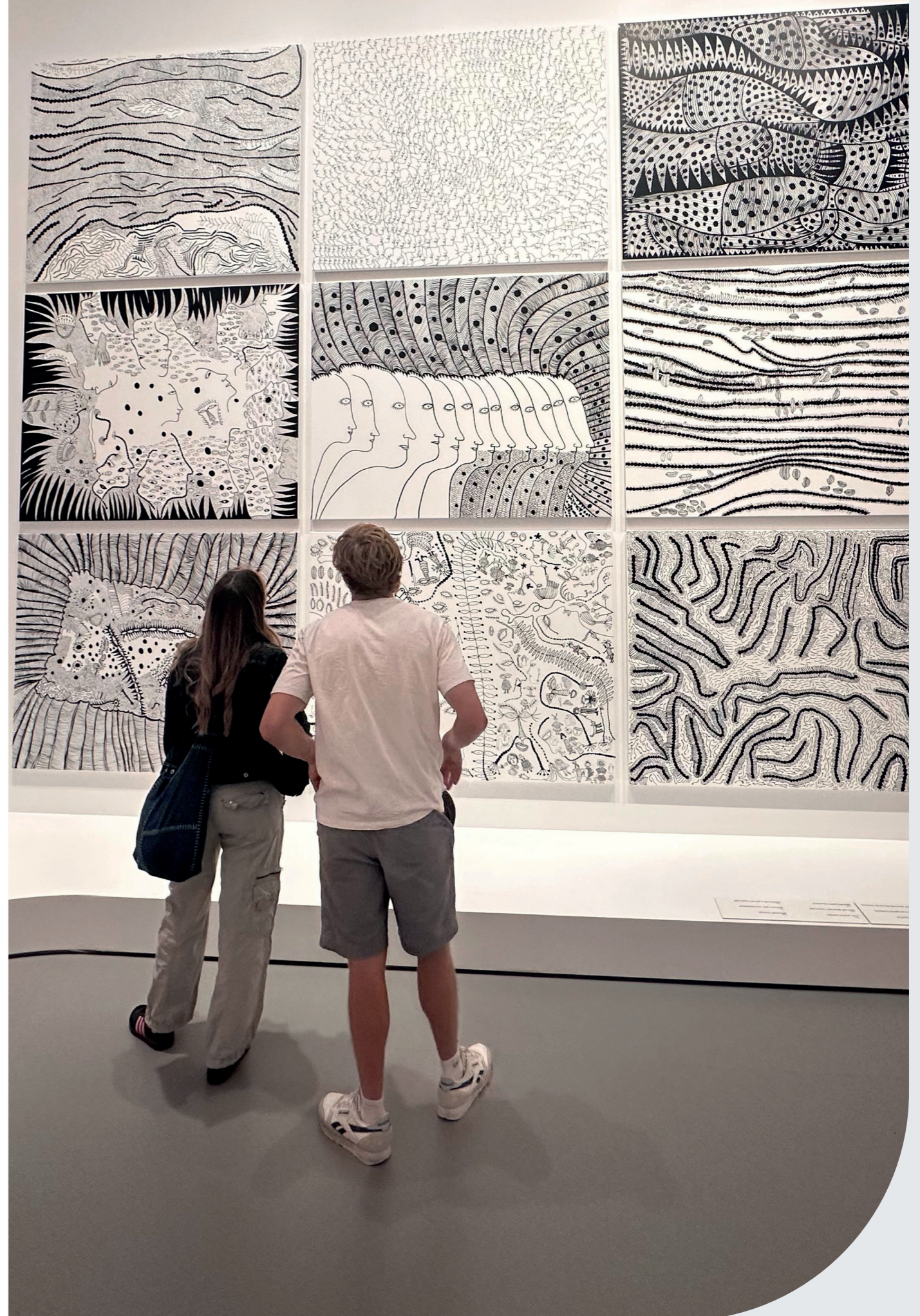
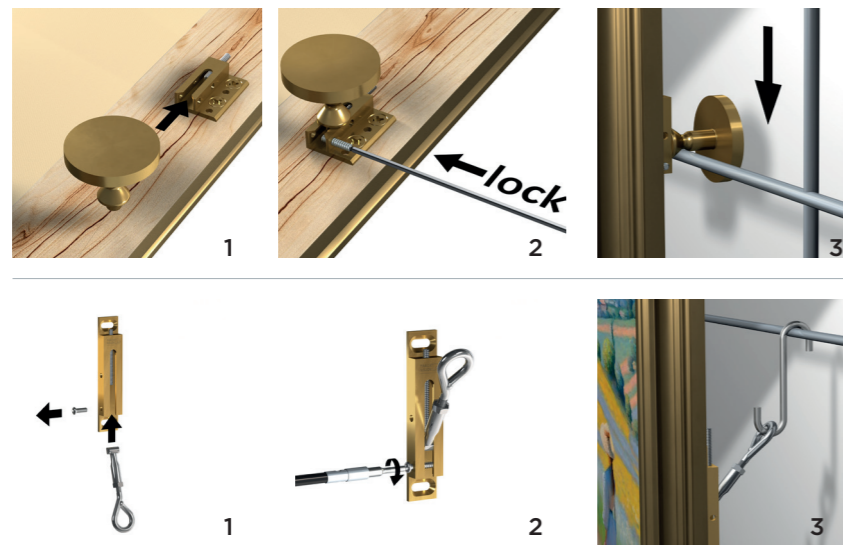
More than half of the painting collections of museums are not displayed for visitors to see. These paintings and art objects are safely stored and kept in a depot storage within the museum. Also here, a safe and easy hanging of the paintings and art works is important.

Will the painting be stored in a depot? Depot Screws are used in combination with a frame hanger such as the Track Junior M to easily and safely hang and store it on grid walls.

Depending on which type of frame hanger is attached behind the art object or painting, the appropriate Depot Screw is chosen.

DEPOT			
			
	Depot Screw Junior / Junior BU	Depot Screw Junior M	Extender Junior M
ARTICLE NO.	TS90635*	TS90935**	TS21160***
SIZE	35 x 30 mm	35 x 35 mm	

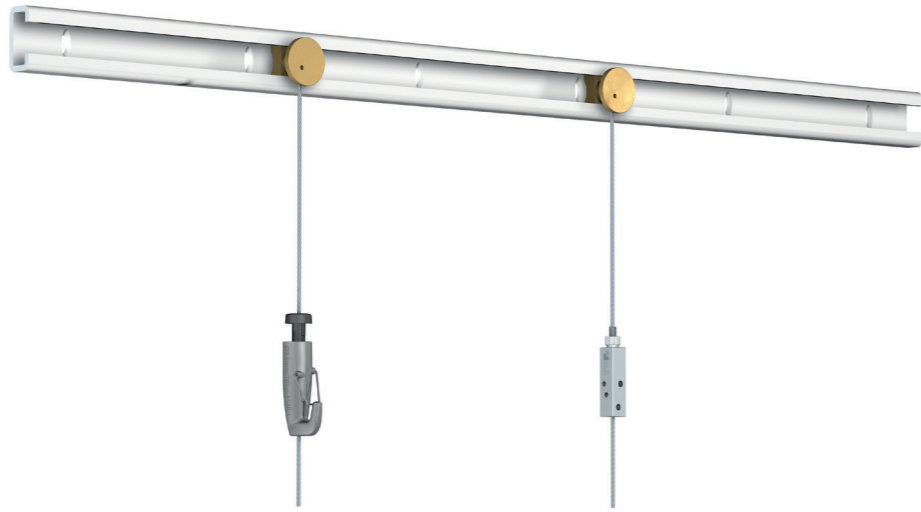
\* used in combination with Track Junior (TS94374) and Track Junior BU (TS90635).  
 \*\* used in combination with Track Junior M (TS94615).  
 \*\*\* used in combination with Track Junior M (TS94615) and Hook4Wall (TS0001)



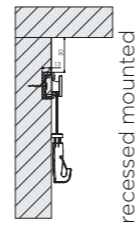
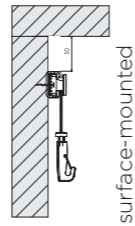
## RAIL HANGING - HEAVY DUTY TRACK

wall mounted

**200**  
kg p/m



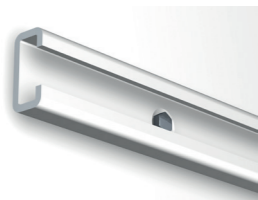
**10**  
YEARS  
WARRANTY



Crafted from durable steel, this rail can be mounted directly to the wall or discreetly built into it, offering maximum stability while allowing for a seamless look. The option to built in the rail makes it almost invisible, helping it blend perfectly with any interior design. The sliders, equipped with strong steel wire, can be effortlessly positioned anywhere along the rail and securely fastened, allowing for precise placement of each artwork.

What sets this system apart is its flexibility. The rail is available in white (RAL 9010) in a standard length of 200 cm. It can also be ordered in any desired colour and in custom lengths starting from 100 cm. This makes it easy to adapt the rail to the specific needs and style of any project.

### HEAVY DUTY TRACK WALL



Heavy Duty Track Wall Rail 200 cm

Heavy Duty Track Wall Rail 100 cm

ARTICLE NO.

**TS00004ST**

**TS00004SR**

White RAL9010

Custom lengths from 100 cm available in any RAL colour

The rail comes pre-drilled with mounting holes, starting 10 cm from one end and repeating every 36 cm along its 200 cm length, and is supplied without installation materials.

Consult with installer for most suitable installation material.

## RAIL HANGING - HEAVY DUTY TRACK

wall mounted

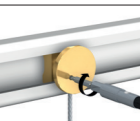
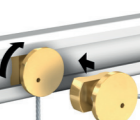
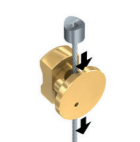
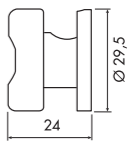
**200**  
kg p/m

The Slider can be effortlessly positioned anywhere along the rail and securely fastened, allowing for precise placement of each artwork.

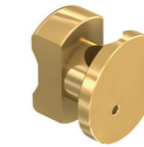
The Slider is compatible with both Slider 1.8 mm stainless steel wires and Twister 2.5 mm steel wire. Insert the wire through the Slider and fasten it on the rail.

The 1.8 mm stainless steel wires are available in lengths of 150 cm, 200 cm, 250 cm, 300 cm and 500 cm, while the 2.5 mm steel wires are offered in lengths of 200 cm, 300 cm and 500 cm.

**10**  
YEARS  
WARRANTY



### SLIDER (for wall mounted track)



ARTICLE NO.

Slider

**TS00005\***

\* compatible with Slider Stainless Steel Wire 1.8 mm or Twister Steel Wire 2.5 mm

### COMPATIBLE WIRES



ARTICLE NO.

**TS75018Z15**

**TS75018Z20**

**TS75018Z25**

**TS75018Z30**

**TS75018Z50**

SIZE

150 cm

200 cm

250 cm

300 cm

500 cm



ARTICLE NO.

**TS75025T20**

**TS75025T30**

**TS75025T50**

SIZE

200 cm

300 cm

500 cm

See pages 26-27 for which hooks are compatible with the 1.8 and 2.5 mm thick wires.

**RAIL HANGING - HEAVY DUTY TRACK**  
ceiling mounted **200** kg p/m



**10 YEARS WARRANTY**

**surface-mounted**

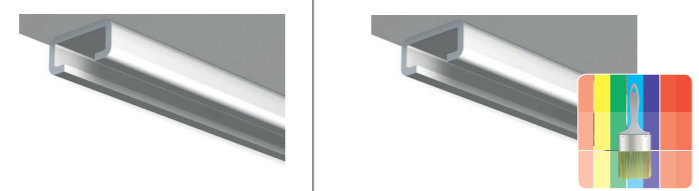
**recessed mounted**

This robust rail system is specifically designed for ceiling mounting, offering a discreet and refined solution for displaying art. Whether surface-mounted or recessed into the ceiling, it provides exceptional stability while maintaining a minimalist and streamlined appearance. When recessed, the rail virtually disappears, seamlessly complementing any interior design.

The sliders with sturdy steel wires, can be easily adjusted along the length of the rail. This ensures not only flexibility but also precision in positioning.

Delivered as standard in white (RAL 9010) and a length of 200 cm, the rail is also available in any custom length starting from 100 cm, and can be powder-coated in any RAL colour. This allows the ceiling rail to fit perfectly into both residential and commercial spaces, tailored to the unique aesthetic and functional demands of each project.

**HEAVY DUTY TRACK CEILING**



	Heavy Duty Track Ceiling Rail 200 cm	Heavy Duty Track Ceiling Rail 100 cm
ARTICLE NO.	TS00004ST	TS00004SR
	White RAL9010	Custom lengths from 100 cm available in any RAL colour

The rail comes pre-drilled with mounting holes, starting 10 cm from one end and repeating every 36 cm along its 200 cm length, and is supplied without installation materials.  
Consult with installer for most suitable installation material.

**RAIL HANGING - HEAVY DUTY TRACK**  
ceiling mounted **200** kg p/m

The Slider can be effortlessly positioned anywhere along the rail and securely fastened, allowing for precise placement of each artwork.

The Slider is compatible with both Slider 1.8 mm stainless steel wires and Twister 2.5 mm steel wire. Insert the wire through the Slider and fasten it on the rail.

The 1.8 mm stainless steel wires are available in lengths of 150 cm, 200 cm, 250 cm, 300 cm and 500 cm, while the 2.5 mm steel wires are offered in lengths of 200 cm, 300 cm and 500 cm.

**10 YEARS WARRANTY**

**SLIDER (for ceiling mounted track)**



	Slider
ARTICLE NO.	TS00006*
	* compatible with Slider Stainless Steel Wire 1.8 mm or Twister Steel Wire 2.5 mm

**COMPATIBLE WIRES**

1.8 mm

	Slider Stainless Steel Wire 1.8 mm				
ARTICLE NO.	TS75018Z15	TS75018Z20	TS75018Z25	TS75018Z30	TS75018Z50
SIZE	150 cm	200 cm	250 cm	300 cm	500 cm

2.5 mm

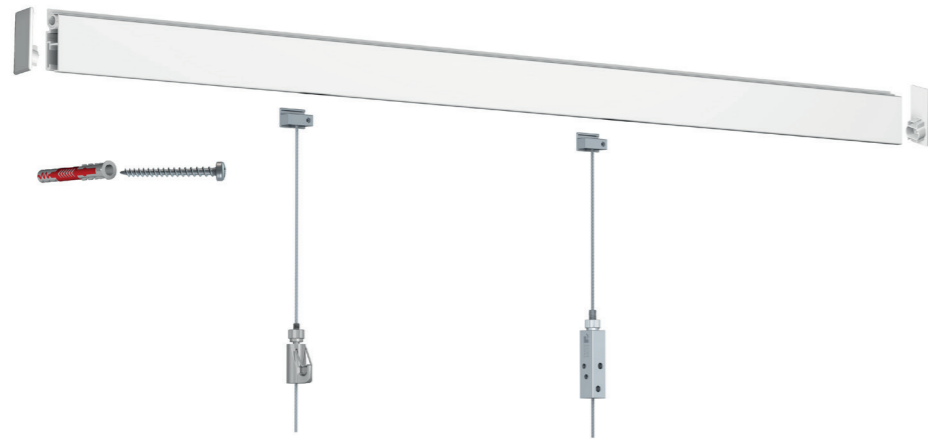
	Twister Steel Wire 2.5 mm		
ARTICLE NO.	TS75025T20	TS75025T30	TS75025T50
SIZE	200 cm	300 cm	500 cm

See pages 26-27 for which hooks are compatible with the 1.8 and 2.5 mm thick wires.

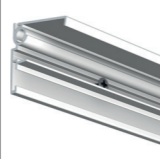
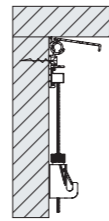
## RAIL HANGING - DOUBLE WALL TRACK

smart and discrete rail

**80**  
kg p/m



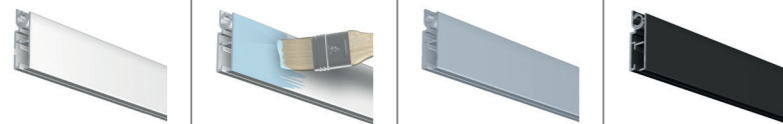
**10**  
YEARS  
WARRANTY



The Double Wall Track offers a smart and discrete way of hanging works of art, making it ideal for museums and exhibition spaces. This rail comprises two parts: a sturdy base rail that is attached to the wall and cover that is placed over it. Giving it a neat finish and providing a secure hanging solution without damaging the wall. The rail can be painted or select the Double Wall Track + cover special to custom rail in any RAL colour.

A special slider is used in combination with the Double Wall Track that easily hooks into the rail, can be placed at any position on the rail and can be secured. Slid the steel wire of 1.2 or 1.8 mm thick through the slider and combine with the Auto Grip Lock hook for hanging works of art of 15 to 40 kg (max. weight depends on which type of steel wire).

### DOUBLE WALL TRACK



Double Wall Track 200 cm

ARTICLE NO.	TS00001	TS00001WH1	TS00001AN1	TS00001BL1
	White RAL9010	White Primer RAL9016	Silver Anodised	Black

Double Wall Track + cover special RAL colour 200 cm TS00001SR

The rail comes pre-drilled with mounting holes, starting 6 cm from one end and repeating every 23,5 cm along its 200 cm length.



End Cap Double Wall Track

Fischer Plug Duopower 6 x 50 mm  
Screw 4,0 x 60 mm PH T20

Fastener kit 200 cm

ARTICLE NO.	TS00002	TS00002BL	TS00110 & TS00120	TS00100
	White	Black		9x screws & plugs

## RAIL HANGING - DOUBLE WALL TRACK

smart and discrete rail

**80**  
kg p/m

### SET SLIDER STAINLESS STEEL WIRE



Slider + Stainless Steel Wire 1,2 mm

ARTICLE NO.	TS80012Z15	TS80012Z20	TS80012Z25	TS80012Z30	TS80012Z50
SIZE	150 cm	200 cm	250 cm	300 cm	500 cm



Slider + Stainless Steel Wire 1,8 mm

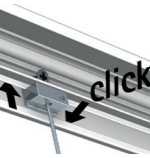
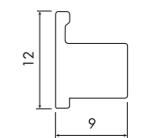
ARTICLE NO.	TS80018Z15	TS80018Z20	TS80018Z25	TS80018Z30	TS80018Z50
SIZE	150 cm	200 cm	250 cm	300 cm	500 cm

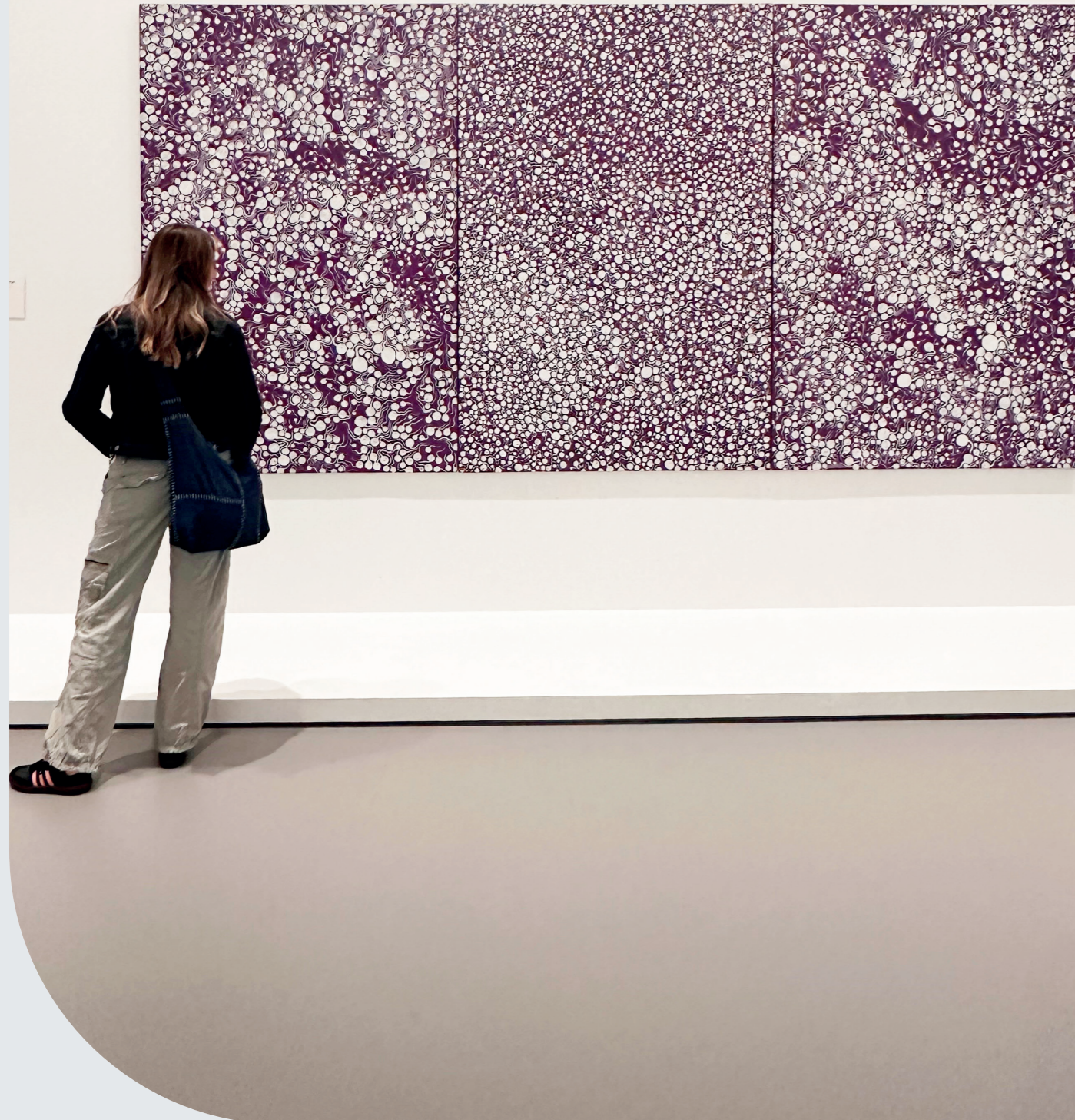


Slider + Stainless Steel Wire Black 1,8 mm

ARTICLE NO.	TS81018Z20	TS81018Z30	TS81018Z50
SIZE	200 cm	300 cm	500 cm

**10**  
YEARS  
WARRANTY





## RAIL HANGING - TRACK & WIRE

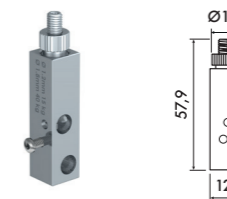
for a secure hanging in combination with a picture hanging system

The Track & Wire was developed for suspending and securing paintings and objects on steel wires of 1.2 and 1.8 mm in combination with a picture hanging system. The Track & Wire is directly mounted on the back of the painting with the wire positioned in the right place within the rail.

Adjustability is achieved by means of an auto grip function within the Track & Wire, which holds the wire when tension is applied and allows movement when pressed. The screw on the side can be tightened for additional security. Providing a mechanical anti-theft solution.

Two elements and wires are required per painting.

### TRACK & WIRE



Track & Wire 1.2-1.8 mm / 15-40 kg

ARTICLE NO.

TS30218

\* used in combination with wires 1.2 and 1.8 mm

Two units are required per painting, frame or art object.

### Installation instructions - Track & Wire

#### Step 1: Mount the Track & Wire onto the back of the painting or frame

Mount the Track & Wire directly on the back of the painting or frame. Position it higher to reduce tilting.

#### Step 2: insert the wire into the Track & Wire

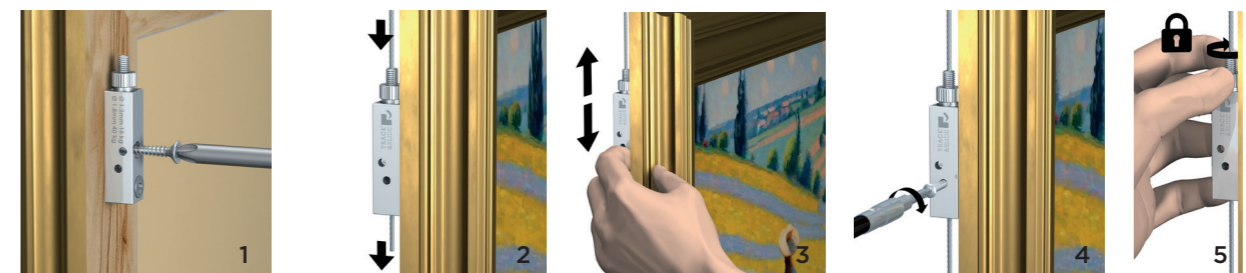
Thread the 1.2 or 1.8 mm wire through the Track & Wire. It will automatically lock into place once you release it.

#### Step 3: Positioning the painting

Position the painting at the preferred height by adjusting the steel wire in the Track & Wire.

#### Step 4 & 5: Lock

Tighten the screw beneath and turn the screw on the top for additional security and a secure hanging.



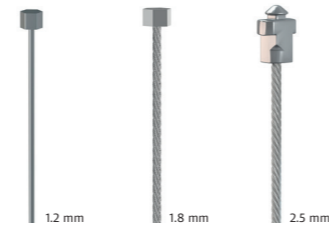
## HOOKS & WIRES

range of hooks and wires

To ensure safe and professional hanging, it is essential to choose the correct combination of hook and steel wire based on the weight of the painting and the hanging system in use.

Track & Slide® offers steel wires in three different diameters:

- **1.2 mm wire:** suitable for lighter objects
- **1.8 mm wire:** medium-weight objects
- **2.5 mm wire:** heavy-duty objects



The required diameter depends on the weight of the object to be hung.

Always use two wires per object for optimal weight distribution and stability. The maximum weight load applies only when using Track & Slide® hooks in combination with our wires.

Each wire diameter is compatible with specific hooks, so selecting the correct wire also determines which hooks can be used.

Track & Slide® offers two Auto Grip Lock hooks and two accessories that are used in combination with a picture hanging rail system:



### Auto Grip H70

- suitable for 2.5 mm steel wires, weight capacity is **70 kg**
- safety and auto lock function
- anti-theft delaying mechanism
- 10 year warranty



### Auto Grip Lock

- suitable for 1.2 and 1.8 mm steel wires, weight capacity **15 - 40 kg**
- safety and auto lock function
- anti-theft delaying mechanism
- 10 year warranty



### Track & Wire

- suitable for 1.2 and 1.8 mm steel wires, weight capacity **15 - 40 kg**
- mounted directly onto the back of a painting
- anti-theft delaying mechanism
- 10 year warranty



### Frame Hanger Junior M

- suitable for 1.2 and 1.8 mm steel wires, weight capacity **15 - 40 kg**
- auto lock function
- used in combination with Track Junior M
- 10 year warranty

## HOOKS & WIRES COMPATIBILITY

correct hook and wire combination

	HOOKS	WIRES
	<p>Auto Grip Lock 1.2-1.8 mm / 15-40 kg</p>	<p>Slider Stainless Steel Wire 1.2 and 1.8 mm</p>
ARTICLE NO.	TS00218	Used in combination with Auto Grip Lock 1.2-1.8 mm / 15-40 kg
	<p>Auto Grip H70 2.5 mm 70 kg</p>	<p>Twister Steel Wire 2.5 mm</p>
ARTICLE NO.	TS00225	Used in combination with Auto Grip H70 2.5 mm 70 kg
	<p>Track &amp; Wire 1.2-1.8 mm / 15-40 kg</p>	<p>Slider Stainless Steel Wire 1.2 and 1.8 mm</p>
ARTICLE NO.	TS30218	Used in combination with Track & Wire 1.2-1.8 mm / 15-40 kg
	<p>Frame Hanger Junior M 1.2-1.8 mm / 15-40 kg</p>	<p>Slider Stainless Steel Wire 1.2 and 1.8 mm</p>
ARTICLE NO.	TS94620	Used in combination with Frame Hanger Junior M 1.2-1.8 mm / 15-40 kg

## MOUNTING TOOLS

necessary tools & bits

### TOOLS



Flexible Bitholder

ARTICLE NO. TS9001

### BITS



Secure Bit Junior M

ARTICLE NO. TS9007



Adjustment Bit Junior

ARTICLE NO. TS9005



Adjustment Bit M / L

ARTICLE NO. TS9002

Bits TS9007, TS9005 and TS9002 are always combined with the Flexible Bitholder, TS9001.

### TOOLS



Assembly Tool Junior

ARTICLE NO.	TS9008	TS9008L
SIZE	10,5 cm	29,7 cm

Our Mounting Tools are designed to ensure secure installation and easy adjustment of our Track & Slide® and Track & Wire® systems. These high-quality tools offer the precision and reliability needed for both initial setup and ongoing modifications, whether in gallery settings or retail environments.

In addition to general mounting, these tools are essential for properly fixing the Sliders (TS00005, TS00006) within the Double Wall Track and the Heavy Duty Track. This guarantees optimal performance of the system, helping to maintain both the safety and aesthetic integrity of the hanging setup.

Using the right tools ensures that your system performs at its best. See next page (page 29) for an overview of which mounting tool is applicable for which Track & Slide® product.

## MOUNTING TOOLS

correct tool use

	 TS9008 TS9008L	 TS9007	 TS9005	 TS9001	 TS9002
 TS94374	A + B		A + B		
 TS94369L TS94369R	A + B		A + B		
 TS94615	A	B	A		
 TS92525L TS92525R		A + B			
 TS91100		B		A	
 TS00011	A + B		A + B		
 TS30218		B			
 TS00005	A		A		
 TS00006	A		A		
 TS00003	A		A		



## REFERENCES

### Track & Slide® systems used worldwide

Track & Slide® systems are currently used by museums, galleries and private collectors throughout Europe, the USA, Canada, New Zealand, Australia, the United Arab Emirates and many more countries, to benefit of countless masterpieces.

- The Bavarian Painting Collection, Munich, Germany
- Alte Pinakothek, Munich, Germany
- Neue Pinakothek, Munich, Germany
- The Collection of the Bavarian Royal Family Wittelsbacher, Munich, Germany
- Nymphenburg Castle, Munich, Germany
- Berchtesgaden Castle, Berchtesgaden, Germany
- Hohenschwangau Castle, Hohenschwangau, Germany
- Burda Collection, Baden-Baden, Germany
- Buchheim Museum of Imagination, Bernried, Germany
- Canadian House of Commons, Ottawa, Canada
- Cleveland Museum of Art, Cleveland, USA
- Detroit Institute of Arts, Detroit, USA
- German Historical Museum Berlin, Germany
- Hilti Art Foundation, Vaduz, Liechtenstein
- Houston Museum of Fine Arts, Houston, USA
- International Maritime Museum, Hamburg, Germany
- Kunstmuseum Liechtenstein, Vaduz, Liechtenstein
- Lawrence Wilson Art Gallery, Crawley, Australia
- Lenbachhaus, Munich, Germany
- Metropolitan Museum of Art, New York, USA
- MOMA, New York, USA
- Musee des Beaux Arts, Angers, France
- Musee de L'ORANGERIE, Paris, France
- Musee Matisse - Palais Fenelon, Le Chateau Cambres, France
- Museum kunst palast, Düsseldorf, Germany
- Museum of Contemporary Art, Sydney, Australia
- Pablo Picasso Museum, Münster, Germany
- Salzburger Museum, Carolino Augusteum, Salzburg, Austria
- Segantini Museum, St. Moritz, Switzerland
- Siemens Center, Munich, Germany
- S.M.A.K. Museum of Modern Art, Gent, Belgium
- The Stanley Spencer Museum, Cookham, England
- Tiroler Landesmuseum Ferdinandeum, Innsbruck, Austria
- Versailles Castle, Versailles, France
- Victoria Insurance Company, Düsseldorf, Germany

...and numerous other museums, art galleries worldwide

### References

Museums chose Track & Slide® systems because they are easy to use, and offer anti-theft protection, security, depot hanging, and compatible parts for art transportation. Hotels, public and private art collections particularly appreciate the high quality and reliability of our fine hanging systems.



Track & Slide by ARTITEQ

Herastraat 39

5047 TX Tilburg

The Netherlands

+31 (0)13 572 90 70

info@artiteq.com

trackandslide.com